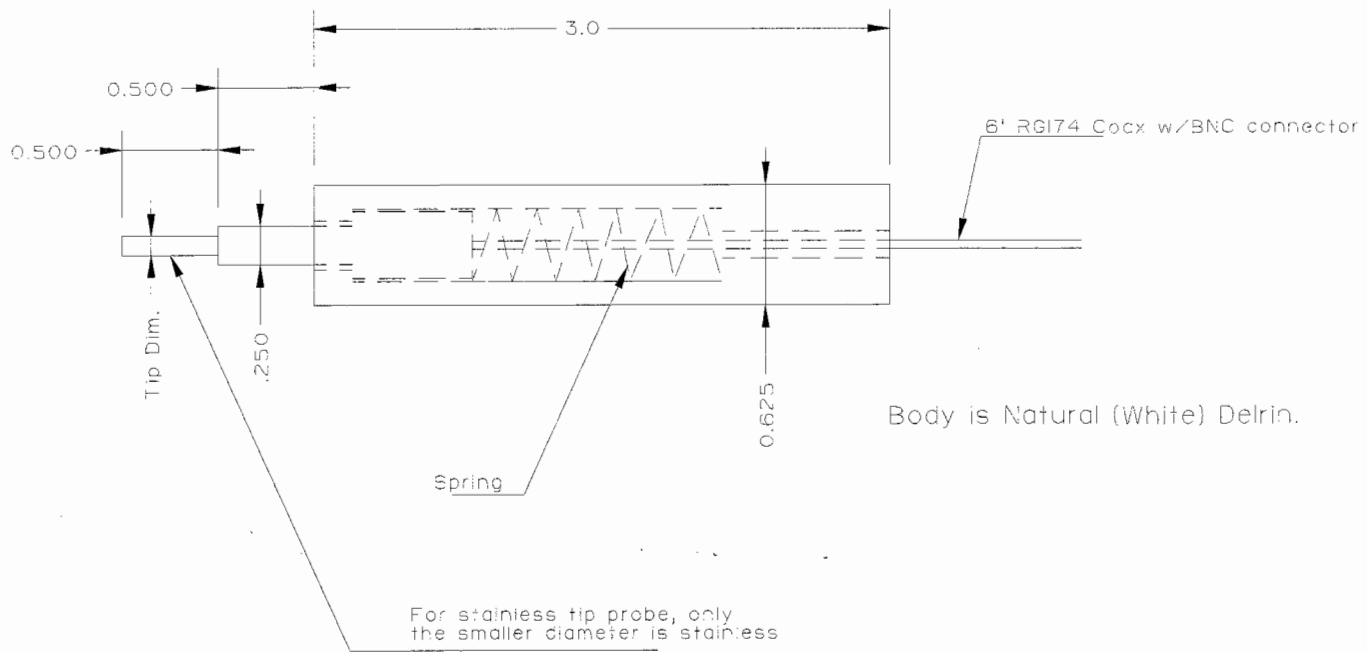
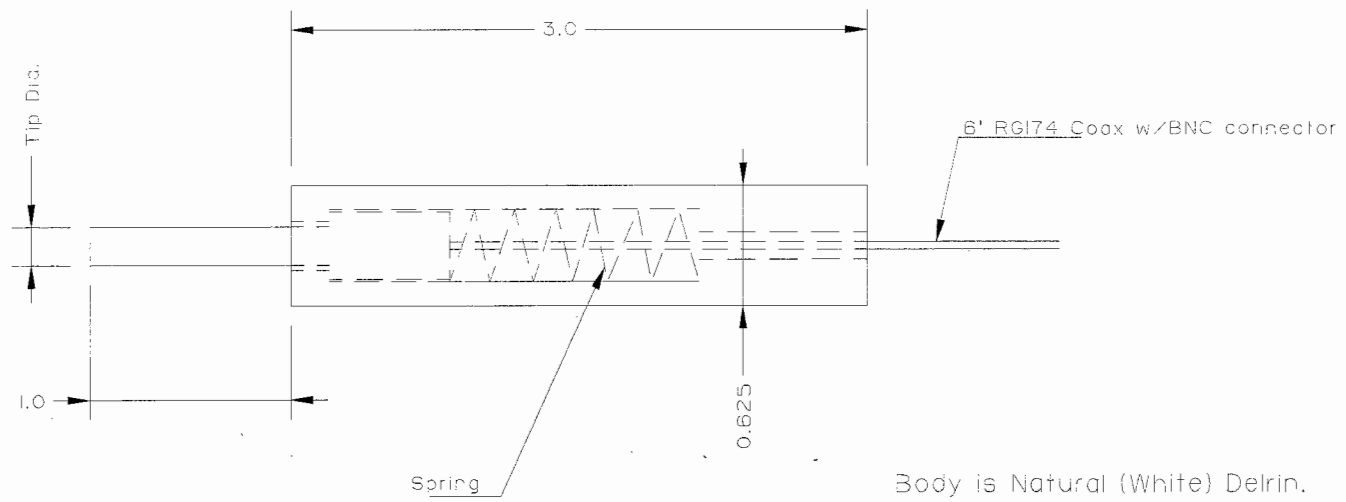


## Standard Probes

<i>Hole Size</i>	<i>Thread Pitch</i>	<i>Tip Dia.</i>	<i>Body Dia.</i>	<i>Delrin Tip Part No.</i>	<i>Stainless Tip Part No.</i>	<i>Body Style</i>
M6	1mm	1/8	5/8	58108	58108-SS	A
M8	1.25mm	3/16	5/8	58316	58316-SS	B
M10	1.5mm	1/4	5/8	58104	58104-SS	B
M12	1.75mm	5/16	5/8	58516	58516-SS	B
M14	2mm	7/16	1.0	10716	10716-SS	B
M16	2mm	1/2	1.0	10102	10102-SS	B
10	32	1/8	5/8	58108	58108-SS	A
12	24/28	1/8	5/8	58108	58108-SS	A
1/4	20/28	1/8	5/8	58108	58108-SS	A
5/16	18/24	3/16	5/8	58316	58316-SS	B
3/8	16/24	1/4	5/8	58104	58104-SS	B
7/16	14/20	5/16	5/8	58516	58516-SS	B
1/2	13/20	3/8	1.0	10308	10308-SS	B
9/16	12/18	7/16	1.0	10716	10716-SS	B
5/8	11	7/16	1.0	10716	10716-SS	B
5/8	18	1/2	1.0	10102	10102-SS	B
3/4	10	1/2	1.0	10102	10102-SS	B
3/4	16	5/8	1.0	10508	10508-SS	B



Body Style A



Body Style B

## *Replacement Probes*

<b>PART NUMBER</b>	<b>DESCRIPTION</b>
010699-SS	.250 dia. tip w/15' cable
010799	.397 dia. tip w/15' cable
011093	.750 dia. tip
012093	.625 dia. tip
012194	.250 dia. tip
012898	.312 dia. tip
013198	1.680 dia. bearing inspection
020198	1.680 dia. bearing inspection
021500	10.5 mm dia. tip
022697	.420 dia. tip
022803	.500 dia. tip
030891	.375 dia. tip
031298-SS	.250 dia. stainless tip
031693	.187 dia. tip
032000-SS	4mm dia. stainless tip
032100	.750 dia. tip
032598	1.345 dia. bearing inspection
040198SN	.375 dia. nylatron tip, stainless body
040692	.187 dia. tip
040898-SS	.375 dia. tip
040999-SN	.312 dia. nylatron/stainless tip
041000	.187 dia. tip
041701	.375 dia. stainless tip
041898	.187 dia. tip
042298	.250 dia. tip
050790-E	.250 dia. tip, recessed sensor
050798SNA	5mm dia. nylatron tip
051498-SS	.187 dia. stainless tip
051798-SN	5mm dia. nylatron tip
052301-SS	.312 dia. stainless tip
060799	.375 dia. dual sensor tip
060895	.312 dia. tip only
061899-SS	2mm dia. stainless tip
062191	.250 dia. tip
062597-SS	2mm dia. stainless tip
062698-SS	.250 dia. nylatron tip
063098	.187 dia. tip
070198	.250 dia. tip
070495	.156 dia. tip
070999	.125 dia. tip
072199-SN	.125 dia. tip
072589-B	.250 dia. tip
080701	.312 dia. stainless tip
080999-B	1.500 dia. tip
083189	.420 dia. tip
090297-SS	.250 dia. stainless tip
091200-DS	.250 dia. dual element nylatron tip
091495-A	.187 dia. tip

091495-B	.250 dia. tip
091898	.375 dia. tip
092299-SN	.312 dia. nylatron/stainless tip
100197-SS	.312 dia. stainless tip
100994	.375 dia. tip
101189-B	.125 dia. tip
101189-SS	.125 dia. stainless tip
103097	.125 dia. tip
110199	12.7/18.0mm dual external sensor
110298-SS	.125 dia. stainless tip
110390	.312 dia. tip
110390-SS	.312 dia. stainless tip
110399-SN	.250 dia. nylatron/stainless tip
110499-SN	.312 dia. nylatron/stainless tip
111000	.156 dia. tip
111398-SN	.375 dia. nylatron tip
111398-SS	.375 dia. stainless tip , stainless body
111496-SS	.250 dia. stainless tip
111596-SS	.375 dia. stainless tip
111698	.187 dia.
111998	.250 dia. tip
113098-SS	.250 dia. stainless tip
120496-SS	5mm dia. stainless tip
120500SS-PT	.375 dia. stainless tip
121302A	5mm dia. stainless tip
121302B	6.4mm dia. stainless tip
121598	.187 dia. tip
121699	.187 dia. stainless tip
25658-SD	2.180 dia. bearing inspection
30726-SD	2.498 dia. bearing inspection
52112-SB	1.187 dia.
54785-SB	.909 dia.
NAV125	3mm dia. stainless tip
NAV187	5mm dia. stainless tip
NAV187-PT	5mm dia. stainless tip, 1/8" NPT fitting
NAV250	.250 dia. stainless tip